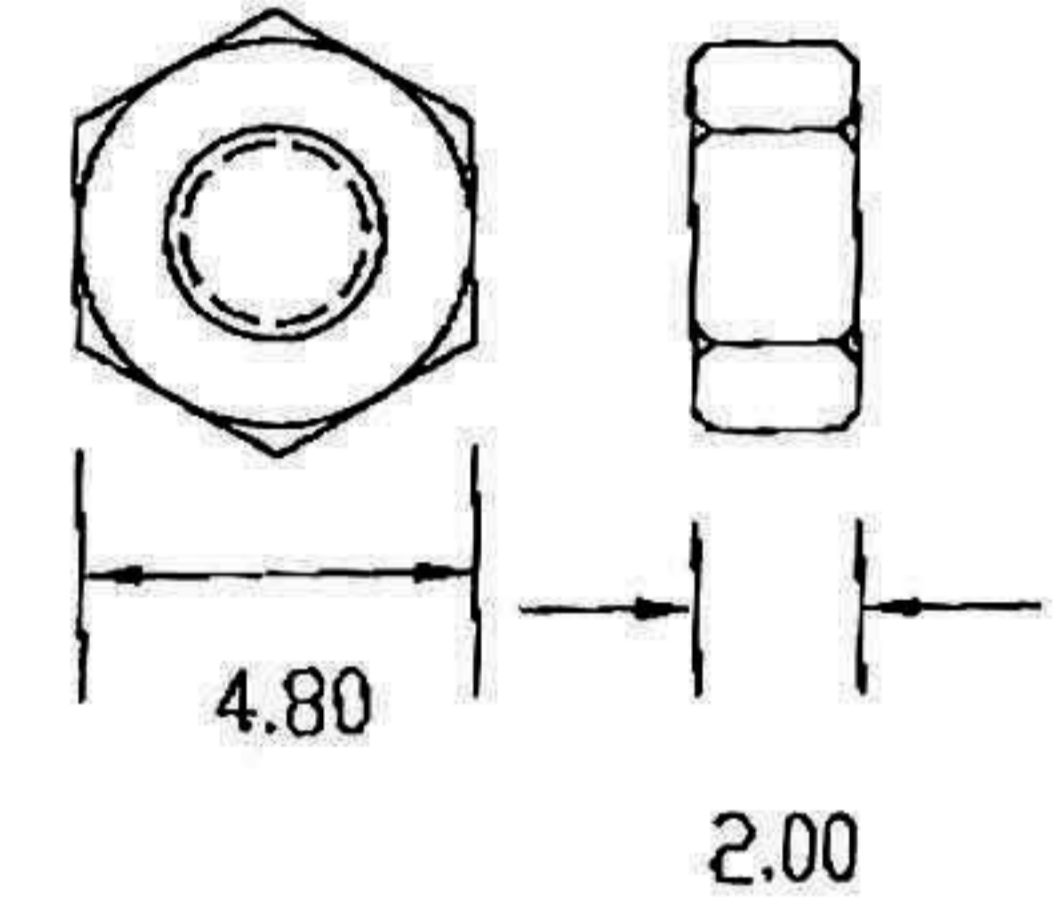
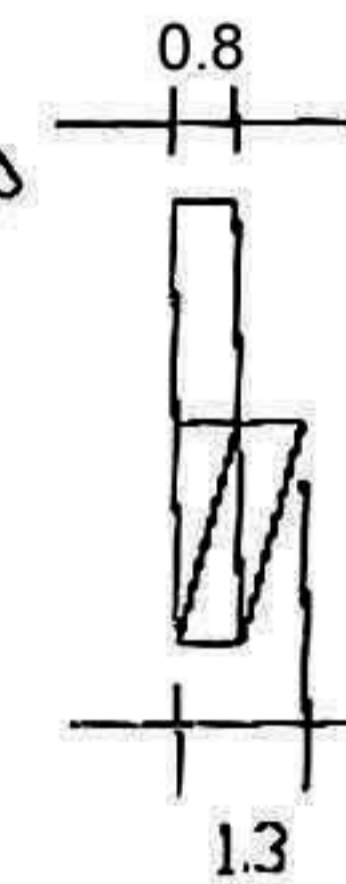
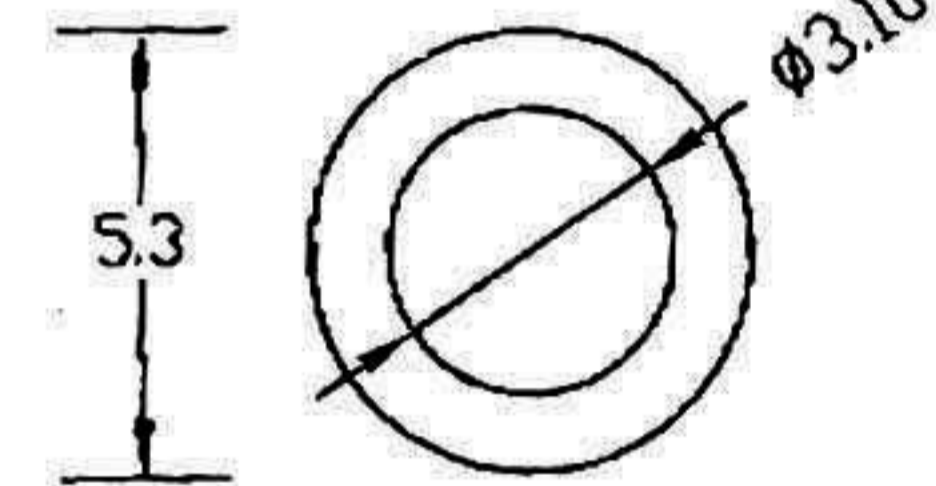
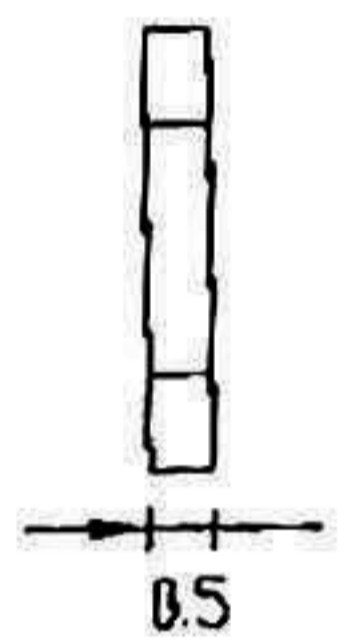
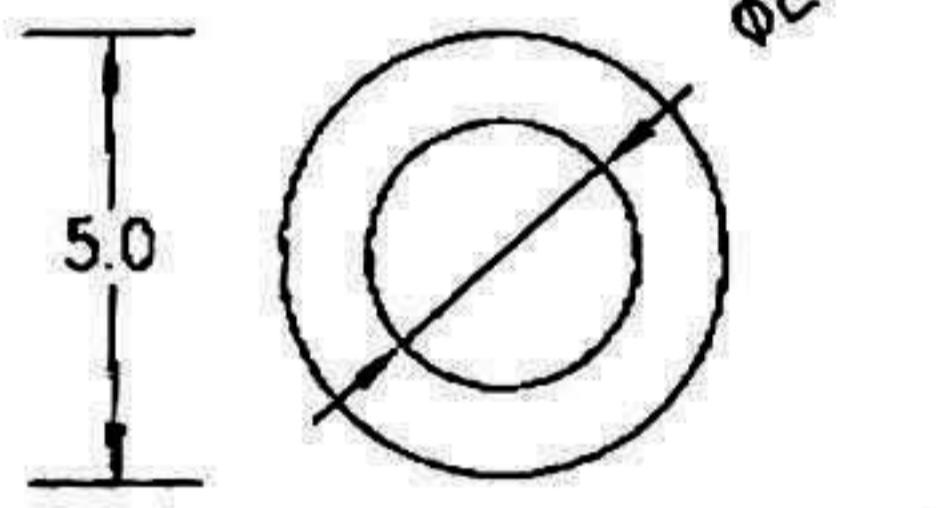


**FLAT WASHER  
METAL NICKEL PLATING**



**HEX NUT  
METAL NICKEL PLATING**

**SPLIT WASHER  
(SPRING WASHER)  
METAL NICKEL PLATING**

L & ITEM NO	PCS /KIT	THREAD 'A	REMARK
L:12.7	8	0.312/7.92	(STANDARD FEMALE SCREWLOCK) SPLIT WASHERS, FLAT WASHERS AND HEX NUT. 2 PCS OF EACH PER KIT

**\*INDIVIDUAL PACKING**

<b>RoHS Compliant</b>		<b>T&amp;T Connection System Co., Ltd.</b>	
APPD. 核准 Betty		TOLERANCE 容許公差 0. ± 10 .0 ± 0.10 .00 ± 0.05	PART NAME 品名 SCREW SET
DWG. 製圖 Betty	SCALE 比例 參考	UNIT 單位 M M	PART NO. 料號 1-023
DATE 制表日 2009/09/18	PAGE 張數 1 OF 1	REV. 版本 C	